

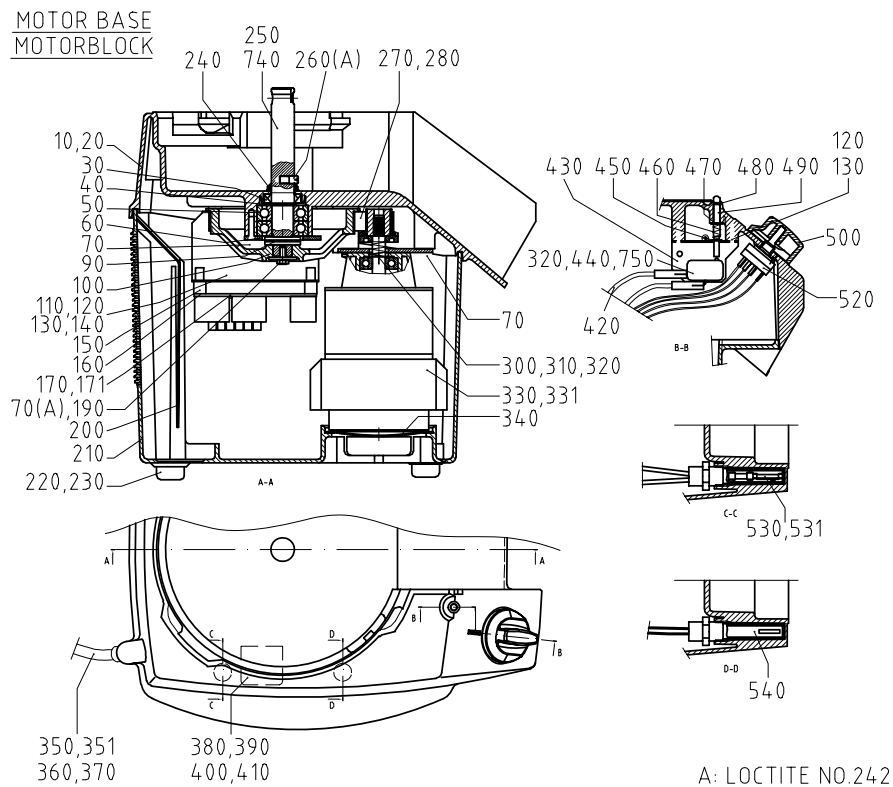
CC-34 Combi Cutter (CC-line)

| No. on drawing | Item No. | Spare Part | Reservdel | Incl.Pcs |
|----------------|----------|--------------------------------|--------------------------------|----------|
| 10 | 24159 | HOUSING, TOP | MASKINHUS, ÖVERDEL | 1 |
| 20 | 14247 | SCREW MKFX-H M5X16 A2-70 | SKRUV MKFX-H M5X16 A2-70 | 4 |
| 30 | 10583 | SEAL RING BASL FX7 NBR 18X30X7 | TÄTN.RING BASL FX7 NBR 18X30X7 | 1 |
| 40 | 10258 | LOCK RING 17 | LÅSRING 17 | 1 |
| 50 | 10255 | BALL BEARING 6203-2RS | KULLAGER 6203-2RS | 2 |
| 60 | 24149 | COVER, BEARING | LAGERLOCK | 1 |
| 70 | 14850 | SCREW FRH-TAPTITE M5X12 TORX | SKRUV K6SF A2 M5X12 vax | 8 |
| 90 | 14907 | PIN FRP 6X28 STEEL | PINNE FRP 6x28 STÅL | 1 |
| 100 | 24154 | PULLEY,KNIFE SHAFT | REMHJUL,KNIVAXEL | 1 |
| 110 | 24161 | EL-PLATE | EL-PLÅT | 1 |
| 120 | 14332 | SCREW MRX 4X10 A2 70 | SKRUV MRX-H M4x10 A2 70 | 8 |
| 130 | 14084 | LOCK WASHER FBB 4.1 A2 | BRICKA FJÄDER FBB 4.1 A2 | 2 |
| 140 | 24193 | CABLE AWG16 G/Y L=100 FL+RING | KABEL AWG16 G/G L=100 FL+RING | 1 |
| 150 | 10588 | STAND OFF EG-6-01 | DISTANS, KORT EG-6-01 | 5 |
| 160 | 14730 | SCREW RXXH 4.2X16 A2 | SKRUV RXXH 4.2X16 A2 | 5 |
| 170 | 24256 | PC-BOARD 120V 60HZ | STYRKORT 120V 60HZ | 1 |
| 171 | 24257 | PC-BOARD 220-240,50/60 | STYRKORT 220-240,50/60 | 1 |
| 190 | 14079 | WASHER BRB 5,3X25X1,5 A2 | BRICKA BRB 5,3X25X1,5 A2 | 1 |
| 200 | 24176 | PROTECTION PLATE FOR LOUVER | STÄNKPLÅT | 1 |
| 210 | 24160 | HOUSING, BASE | MASKINHUS, UNDERDEL | 1 |
| 220 | 10494 | RUBBER FOOT F-107 B | FOT,GUMMI M RFR BRICKA F-107 B | 4 |
| 230 | 14333 | SCREW MRX 4X12 A2 70 | SKRUV MRX-H M4X12 A2 70 | 4 |
| 240 | 10262 | SEAL RING V-18S | TÄTNINGSRING V-18S | 1 |
| 250 | 24158 | KNIFE SHAFT | KNIVAXEL | 1 |
| 260 | 24146 | PIN, KNIFE SHAFT | MEDBRINGARSTIFT, KNIVAXEL | 1 |
| 270 | 10624 | BELT GT 3MR 0390 18 | KUGGREM GT 3MR 0390 18 | 1 |
| 280 | 24252 | PULLEY WHEEL COMPLETE | BRYTHJUL KOMPLETT | 1 |
| 300 | 23162 | BRACKET FOR CHOKE | DROSSELFÄSTE | 1 |
| 310 | 23176 | CHOKE COMPL. | DROSSEL KOMPL. | 1 |
| 320 | 14613 | SCREW RTK ST2.9X16 A2 70 | SKRUV RTK ST2.9x16 A2 70 | 3 |
| 330 | 24129 | MOTOR UNIT 110-120 1 50/60 | MOTORENHET 110-120 1 50/60 | 1 |
| 331 | 24130 | MOTOR UNIT 220-240 1 50/60 | MOTORENHET 220-240 1 50/60 | 1 |
| 340 | 24139 | NET, AIR INLET | NÄT, INSUG | 1 |
| 350 | 24211 | SUPPLY CORD 120V US | SLADDSTÄLL 120V US | 1 |
| 351 | 24210 | SUPPLY CORD 230V CE (1) | SLADDSTÄLL 230V CE (1) | 1 |
| 360 | 10589 | STRAIN RELIEF CLAMP 55-016-89 | DRAGAVL.KLÄMMA 55-016-89 | 1 |
| 370 | 14336 | SCREW MRT-H M4X25 A2 70 | SKRUV MRT-H M4x25 A2 70 | 2 |
| 380 | 15559 | EMC-P.L.FILTER FN2020-10-06 | EMC-FILTER FN2020-10-06 | 1 |
| 390 | 14639 | SCREW RTK ST4.2X9.5 FZB | SKRUV RTK ST4.2x9.5 FZB | 2 |
| 400 | 40624 | CABLE AWG16 L=300 BLUE | KABEL AWG 16L=300 BLÅ | 1 |
| 410 | 24195 | CABLE AWG16 L=300 BRN FL6.3X2 | KABEL AWG16 L=300 BRUN FL6,3X2 | 1 |
| 420 | 24196 | CABLE AWG18 L=200 RED FL6.3X2 | KABEL AWG18 L=200 RÖD FL6,3X2 | 2 |
| 430 | 24162 | BRACKET,SAFETY SWITCH | FÄSTPLÅT,MIKROBRYT. | 1 |
| 440 | 15481 | MICRO SWITCH BVMF ULS | MIKROBRYTARE BVMF ULS | 1 |
| 450 | 10275 | LOCKING WASHER RS 4 | SPÅRRYTARE RS 4 | 1 |
| 460 | 10581 | SPRING SF-TRF 0,6X5X20 | FJÄDER SF-TFR 0,6X5X20 | 1 |
| 470 | 14063 | WASHER BRB 4.3X9X0.8 A2 | BRICKA BRB 4.3x9x0.8 A2 | 1 |
| 480 | 10580 | O-RING 3X1 | O-RING 3X1 | 1 |
| 490 | 24163 | ACTIVATOR PIN,SAFETY SWITCH | TRYCKSTÅNG,MIKROBRYT. | 1 |
| 500 | 24152 | KNOB,SPEED CONTROL W. SPRING | VRED, HASTIGHET M. BLADFJÄDER | 1 |
| 520 | 24167 | ROTARY SWITCH W WIRING/UL94,CE | STRÖMSTÄLL INKL.KABEL/MUTTER | 1 |
| 530 | 24174 | MAGNETIC SWITCH,SAFETY UL | MAGNETBRYTARE,SÄKERHET UL | 1 |
| 531 | 24173 | MAGNETIC SWITCH,SAFETY | MAGNETBRYTARE,SÄKERHET | 1 |
| 540 | 24175 | MAGNETIC SWITCH,SPEED-CONTROL | MAGNETBRYTARE,HASTIGHET | 1 |
| 600 | 24157 | PESTLE HALDE | STÖT HÄLLDE | 1 |
| 610 | 83032 | EJECTOR PLATE | UTMATARSKIVA | 1 |
| 630 | 24177 | SHAFT | AXEL | 1 |
| 640 | 10593 | LOCK WASHER RS7 A2 | SPÅRRYTARE RS7 A2 | 2 |
| 650 | 24628 | FEED HEAD, LIGHT GREY, COMPL. | MATARINSATS, LJUSGRÅ, KOMPL | 1 |

CC-34 Combi Cutter (CC-line)

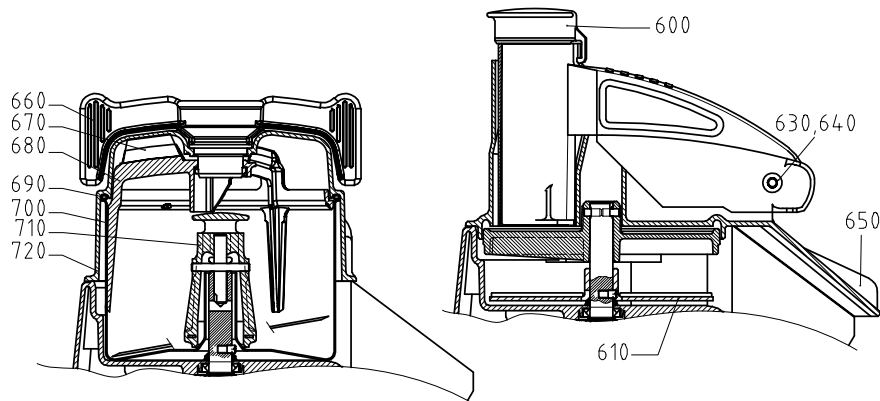
| No. on drawing | Item No. | Spare Part | Reservdel | Incl.Pcs |
|----------------|----------|--------------------------|--------------------------------|----------|
| 660* | 24134 | SCRAPER HANDLE | AVSKRAPARE, HANDTAG | 1 |
| 670* | 24132 | SCRAPER BLADE | TORKARBLAD, AVSKRAPARE | 3 |
| 680* | 24135 | SCRAPER RING | AVSKRAPARE, RING | 1 |
| 690* | 24133 | SEAL RING DIA.5 | TÄTNINGSRING DIA.5 | 1 |
| 700 | 24151 | BOWL 3L | KÄRL 3L | 1 |
| 710 | 24153 | KNIFE HEAD | KNIVHUVUD | 1 |
| 720* | 24172 | LID | LOCK | 1 |
| 740 | 24111 | KNIFE SHAFT COMPL. | KNIVAXEL KOMPLETT | 1 |
| 750 | 24112 | MICRO SWITCH UNIT COMPL. | MICROBRYTARENHET KOMPLETT | 1 |
| *690,720 | 24245 | LID INCL. SEAL RING | LOCK FÖR KÄRL INKL. TÄTNINGSRI | 1 |
| *660-690 | 24244 | SCRAPER ASSY | AVSKRAPARE | 1 |

Drawing: Combi Cutter CC-34



CUTTER/MIXER BOWL ATTACHMENT SNABBHACKS-TILLSATS

VEGETABLE PREPARATION ATTACHMENT GRÖNSAKSSKARAR-TILLSATS



CC-34-1 Combi Cutter (CC-line)

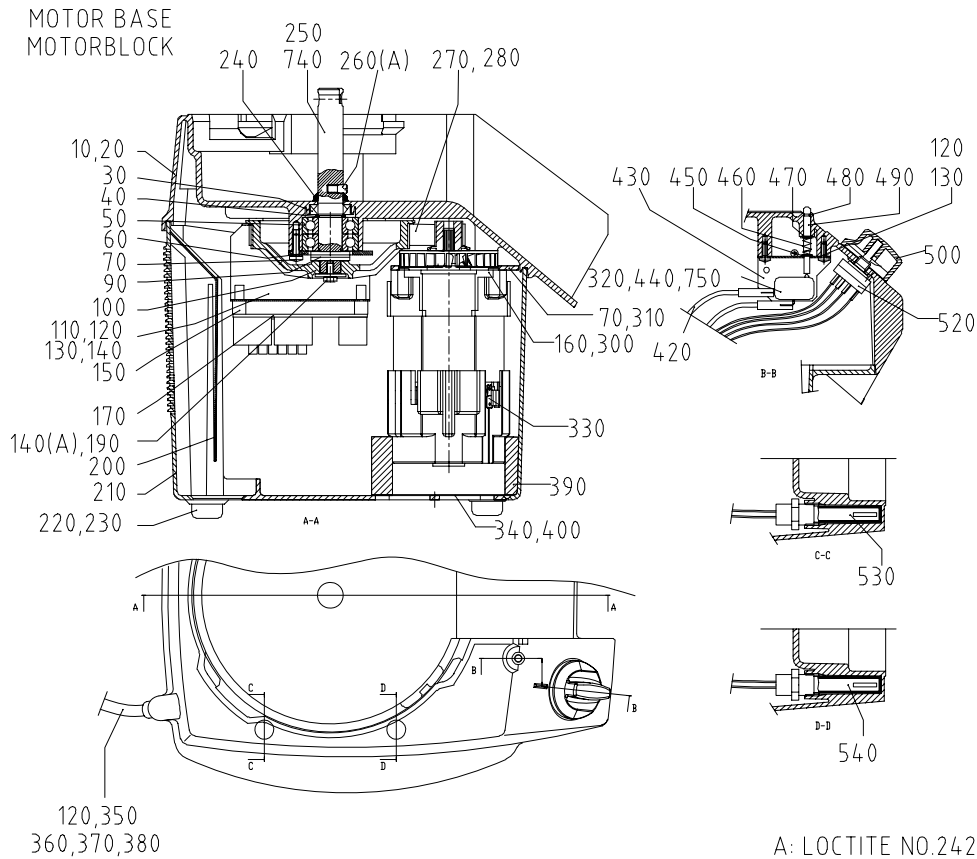
| No. on drawing | Item No. | Spare Part | Reservdel | Incl.Pcs |
|----------------|----------|--------------------------------|--------------------------------|----------|
| 10 | 24159 | HOUSING, TOP | MASKINHUS, ÖVERDEL | 1 |
| 20 | 14247 | SCREW MKFX-H M5X16 A2-70 | SKRUV MKFX-H M5X16 A2-70 | 4 |
| 30 | 10583 | SEAL RING BASL FX7 NBR 18x30x7 | TÄTN.RING BASL FX7 NBR 18X30X7 | 1 |
| 40 | 10258 | LOCK RING 17 | LÅSRING 17 | 1 |
| 50 | 10255 | BALL BEARING 6203-2RS | KULLAGER 6203-2RS | 2 |
| 60 | 24149 | COVER, BEARING | LAGERLOCK | 1 |
| 70 | 14344 | SCREW M5x12 | SKRUV ECO-FIX M5X12, A2 | 7 |
| 90 | 14907 | PIN FRP 6X28 STEEL | PINNE FRP 6x28 STÅL | 1 |
| 100 | 24154 | PULLEY,KNIFE SHAFT | REMHJUL,KNIVAXEL | 1 |
| 110 | 24293 | EL-PLATE, AM | ELPLÅT, STYRKORT AM | 1 |
| 120 | 14851 | SCREW MRT-TT M4x10 A2 DIN 7500 | SKRUV MRT-TT M4x10 A2 | 8 |
| 130 | 14084 | LOCK WASHER FBB 4.1 A2 | BRICKA FJÄDER FBB 4.1 A2 | 1 |
| 140 | 14852 | SCREW FRH M5X10 TORX | SKRUV FRH M5X10 TORX | 1 |
| 150 | 15527 | BRACKET FOR PC-BOARD AVC BS-9A | KORTHÅLLARE AVC BS-9A | 4 |
| 160 | 14755 | SCREW PT 5X20 Z A2 | SKRUV PT 5X20 Z A2 | 4 |
| 170 | 15712 | PC-BOARD 220-240 1 50/60 | ELEKRONIKKORT 220-240 1 50/60 | 1 |
| 190 | 14079 | WASHER BRB 5,3X25X1,5 A2 | BRICKA BRB 5,3X25X1,5 A2 | 1 |
| 200 | 24176 | PROTECTION PLATE FOR LOVER | STÄNKPLÅT | 1 |
| 210 | 24298 | HOUSING, BASE | MASKINHUS, UNDERDEL | 1 |
| 220 | 10494 | RUBBER FOOT F-107 B | FOT,GUMMI M RFR BRICKA F-107 B | 4 |
| 230 | 14333 | SCREW MRX-H M4X12 A2 70 | SKRUV MRX-H M4X12 A2 70 | 4 |
| 240 | 10262 | SEAL RING V-18S | TÄTNINGSRING V-18S | 1 |
| 250 | 24158 | KNIFE SHAFT | KNIVAXEL | 1 |
| 260 | 24146 | PIN, KNIFE SHAFT | MEDBRINGARSTIFT, KNIVAXEL | 1 |
| 270 | 10679 | BELT GT 3MR 0408 18 | KUGGREM GT 3MR 0408 18 | 1 |
| 280 | 24291 | PULLEY WHEEL | BRYTRULLE, KOMPL. | 1 |
| 300 | 14065 | WASHER | BRICKA BRB 5.3x10x1 A2 | 1 |
| 310 | 24292 | BRACKET, MOTOR AM | MOTORPLÅT, AM | 1 |
| 320 | 14613 | SCREW RTK ST2.9X16 A2 70 | SKRUV RTK ST2.9x16 A2 70 | 2 |
| 330 | 15711 | MOTOR 220-240 1 50/60 | MOTOR 220-240 1 50/60 | 1 |
| 340 | 24300 | NET | NÄT | 1 |
| 350 1) | 24210 | SUPPLY CORD 230V CE (1) | SLADDSTÄLL 230V CE (1) | 1 |
| 360 | 10589 | STRAIN RELIEF CLAMP 55-016-89 | DRAGAVL.KLÄMMA 55-016-89 | 1 |
| 370 | 14336 | SCREW MRT-H M4X25 A2 70 | SKRUV MRT-H M4x25 A2 70 | 2 |
| 380 | 15422 | CABLE SUPPORT NK-5N | KABELKLÄMMA NK-5N | 1 |
| 390 | 24296 | SEAL RING, FAN | TÄTNINGSSTOS, FLÄKT | 1 |
| 400 | 10681 | LOCK WASHER P RFR 06 6493 | LÅSBRICKA P RFR 06 6493 | 4 |
| 420 | 23316 | CABLE, AM MOTOR L=270 BLACK | KABEL, AM MOTOR L=270 SVART | 2 |
| 430 | 24162 | BRACKET,SAFETY SWITCH | FÄSTPLÅT,MIKROBRYT. | 1 |
| 440 | 15694 | MICRO SWITCH 83 160 7-N/C W3 | MIKROSWITCH 83 160 7-N/C-W3 | 1 |
| 450 | 10275 | LOCKING WASHER RS 4 | SPÄRRYTTARE RS 4 | 1 |
| 460 | 10581 | SPRING SF-TRF 0,6X5X20 | FJÄDER SF-TFR 0,6X5X20 | 1 |
| 470 | 14063 | WASHER BRB 4.3X9X0.8 A2 | BRICKA BRB 4.3x9x0.8 A2 | 1 |
| 480 | 10580 | O-RING 3X1 | O-RING 3X1 | 1 |
| 490 | 24163 | ACTIVATOR PIN,SAFETY SWITCH | TRYCKSTÅNG,MIKROBRYT. | 1 |
| 500 | 24152 | KNOB,SPEED CONT W. SPR. | VRED, HASTIGHET M. BLADFJÄDER | 1 |
| 520 | 24294 | ROTARY SWITCH, CC-34-1 | STRÖMSTÄLLARE, CC-34-1 | 1 |
| 530 | 24278 | MAGNETIC SWITCH,SAFETY | MAGNETBRYTARE,SÄKERHET | 1 |
| 540 | 24274 | MAGNETIC SWITCH,SPEED-CONTROL | MAGNETBRYTARE,HASTIGHET | 1 |
| 600 | 24157 | PESTLE HALLDE | STÖT HÄLLDE | 1 |
| 610 | 83032 | EJECTOR PLATE | UTMATARSKIVA | 1 |
| 630 | 24177 | SHAFT | AXEL | 1 |
| 640 | 10593 | LOCK WASHER RS7 A2 | SPÄRRYTTARE RS7 A2 | 2 |
| 650 | 24628 | FEED HEAD, LIGHT GREY, COMPL. | MATARINSATS, LJUSGRÅ, KOMPL | 1 |
| 660* | 24134 | SCRAPER HANDLE | AVSKRAPARE, HANDTAG | 1 |
| 670* | 24132 | SCRAPER BLADE | TORKARBLAD, AVSKRAPARE | 3 |
| 680* | 24135 | SCRAPER RING | AVSKRAPARE, RING | 1 |
| 690* | 24133 | SEAL RING DIA.5 | TÄTNINGSRING DIA.5 | 1 |
| 700 | 24151 | BOWL 3L | KÄRL 3L | 1 |

CC-34-1 Combi Cutter (CC-line)

| No. on drawing | Item No. | Spare Part | Reservdel | Incl.Pcs |
|----------------|----------|------------------------------|---------------------------------|----------|
| 710 | 24153 | KNIFE HEAD | KNIVHUVUD | 1 |
| 720* | 24172 | LID | LOCK | 1 |
| 740 | 24111 | KNIFE SHAFT COMPL. | KNIVAXEL KOMPLETT | 1 |
| 750 | 24116 | MICROSWITCH UNIT, CC-32/34-1 | MIKROBRYTARENHET, CC-32/34-1 | 1 |
| *690,720 | 24245 | LID INCL. SEAL RING | LOCK FÖR KÄRL INKL. TÄTNINGSRI | 1 |
| *660-690 | 24244 | SCRAPER ASSY | AVSKRAPARE (INKL. AVSKRAPARARM) | 1 |

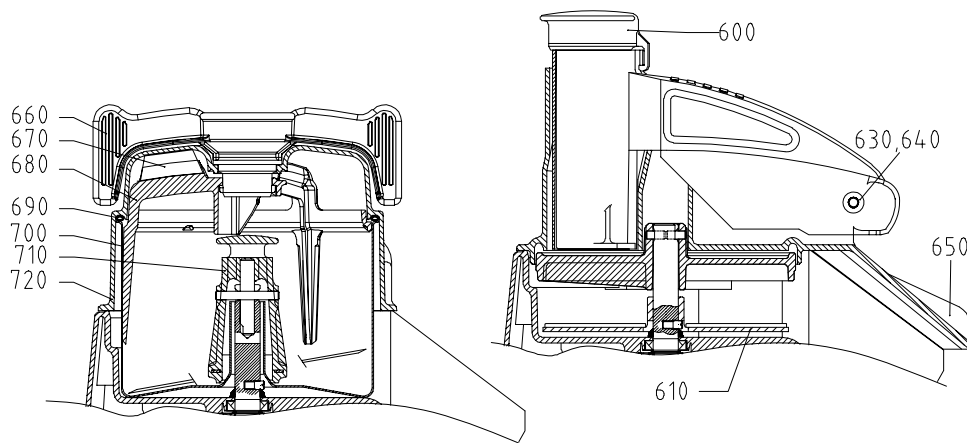
1) Damaged supply cord has to be replaced by cable type: 437U H05RN-F, 3x1.5 mm², 2.4 m

Drawing: Combi Cutter CC-34-1



CUTTER/MIXER BOWL ATTACHMENT
SNABBHACKS-TILLSATS

VEGETABLE PREPARATION ATTACHMENT
GRÖNSAKSSKÄRAR-TILLSATS



Cutting Tools 185 mm for CC-32/34 and RG-30/50/100/200/250/7

| Cutting Tool name | No. on drawing | Item No. | Spare Part | Reservdel |
|--|----------------|----------------------|---|-------------------------------------|
| Standard Slicer | 10 | 3653 | KNIFE, STANDARD SLICER | KNIV, STANDARDSKIVARE |
| Fine Cut Slicer | 20 | 3742 | KNIFE, FINE CUT SLICER | KNIV, FINSNITTSKIVARE |
| Crimping Slicer | 30 | 3688 | KNIFE, CRIMPING SLICER | KNIV, RÄFFELSKIVARE |
| Soft Slicer | 45 | 82515 | KNIFE, SOFT DICING SLICER | KNIV, SOFT DICING SLICER |
| Julienne Cutter | 10 | 3653* | KNIFE, STANDARD SLICER | KNIV, STANDARDSKIVARE |
| | | 3653* | KNIFE, STANDARD SLICER | KNIV, STANDARDSKIVARE |
| | | 3653* | KNIFE, STANDARD SLICER | KNIV, STANDARDSKIVARE |
| | | 3653* | KNIFE, STANDARD SLICER | KNIV, STANDARDSKIVARE |
| | 40 | 82074 | HORIZONTAL KNIFE, 4.5X4.5 MM | HORISONTALKNIV 4,5X4,5 MM |
| | | 82075 | HORIZONTAL KNIFE, 6X6 MM | HORISONTALKNIV 6X6 MM |
| | | 82076 | HORIZONTAL KNIFE, 8X8 MM | HORISONTALKNIV 8X8 MM |
| | | 82077 | HORIZONTAL KNIFE, 10X10 MM | HORISONTALKNIV 10X10 MM |
| | 50 | 82305** | KNIFE BALK, 2X2 MM | KNIVBALK, 2X2 MM |
| | | 84043 | (CC-32/CC-34) KNIFE BALK, 0,35 MM 2X2 | KNIV BALK 0,35 MM KNIVAR 2X2 |
| | | 82306 | KNIFE BALK, 2,5X2,5 MM | KNIV BALK, 2,5X2,5 MM |
| | 60 | 82307** | KNIFE BALK, 4,5X4,5 MM | KNIV BALK, 4,5X4,5 MM |
| | | 84044 | (CC-32/CC-34) KNIFE BALK 0,35MM 4,5X4,5 | KNIVBALK 0,35MM KNIV 4,5X4,5 |
| | | 82308** | KNIFE BALK, 6X6 MM | KNIVBALK, 6X6 MM |
| 82309** | | KNIFE BALK, 8X8 MM | KNIVBALK, 8X8 MM | |
| 82310 | | KNIFE BALK, 10X10 MM | KNIVBALK, 10X10 MM | |
| Grater/Shredder | 70 | 3696 1.5 | PLATE FOR 1,5 MM, GRATER | PLÅT TILL 1,5 MM |
| | | 3696 2*** | PLATE FOR 2 MM, GRATER | PLÅT TILL 2 MM |
| | | 3696 3 | PLATE FOR 3 MM, GRATER | PLÅT TILL 3 MM |
| | | 3696 4.5*** | PLATE FOR 4,5 MM, GRATER | PLÅT TILL 4,5 MM |
| | | 3696 6*** | PLATE FOR 6 MM, GRATER | PLÅT TILL 6 MM |
| | | 3696 8*** | PLATE FOR 8 MM, GRATER | PLÅT TILL 8 MM |
| | | 3696 10 | PLATE FOR 10 MM, GRATER | PLÅT TILL 10 MM |
| Fine Grater | 80 | 82216*** | PLATE, FINE GRATER | PLÅT, RIVARE FIN |
| | 85 | 83285 | PLATE, GRATER EXTRA FINE | PLÅT, RIVARE EXTRA FIN |
| Potato Chips Grid for RG-7 and RG-250 | 90 | 3797 | COMPL KIT KNIVES POTCHIPS GRID | UTBYTESSATS KOMPL POM.FRITES GALLER |
| Dicing Grid for RG-7, RG-200 and RG-250 | 100 | 82355 | COMPL. KIT KNIVES, 6,25 MM | UTBYTESSATS KOMPL 6,25MM |
| | | 82356 | COMPL. KIT KNIVES, 7,5 MM | UTBYTESSATS KOMPL 7,5MM |
| | | 82357 | COMPL. KIT KNIVES, 10 MM | UTBYTESSATS KOMPL 10MM |
| | | 82358 | COMPL. KIT KNIVES, 12,5 MM | UTBYTESSATS KOMPL 12,5MM |
| | | 82359 | COMPL. KIT KNIVES, 15 MM | UTBYTESSATS KOMPL 15MM |
| | | 82360 | COMPL. KIT KNIVES, 20 MM | UTBYTESSATS KOMPL 20MM |
| Dicing Grid Soft Dice for RG-200 and RG-250 | 100 | 82594 | COMPL. KIT KNIVES, 7,5 MM | UTBYTESSATS KOMPL 8 (7,5) |
| | | 82595 | COMPL. KIT KNIVES, 10 MM | UTBYTESSATS KOMPL 10MM |
| | | 82596 | COMPL. KIT KNIVES, 12,5 MM | UTBYTESSATS KOMPL 12,5MM |
| | | 82597 | COMPL. KIT KNIVES, 15 MM | UTBYTESSATS KOMPL 15MM |

* Standard Slicer Knife

** Only for RG-100/200/250/7

*** Only for RG-100/200/250/7

| | | | | |
|--|--|-------|---|---------------------------------|
| Dicing Grid for RG-200 and RG-250 | 110 | 3842 | OUTER RING RG-7 | YTTERRING RG-7 |
| | 120 | 82461 | OUTER RING, HIGH dw | YTTERRING, HÖG, dw |
| | | 82462 | OUTER RING, LOW (14), dw | YTTERRING, LÅG (14/15), dw |
| | | 82463 | OUTER RING, LOW (20), dw | YTTERRING, LÅG (20), dw |
| | | 82391 | OUTER RING, HIGH | YTTERRING RG-200/250, HÖG |
| | | 82392 | OUTER RING, LOW (14/15) | YTTERRING RG200/250 LÅG (14/15) |
| | | 82393 | OUTER RING, LOW (20) | YTTERRING RG-250, LÅG (20) |
| | 130 | 82464 | CENTER RING ID.34, dw (USE ALSO FOR SOFT DICE) | CENTRUMRING DI.34, dw |
| | | 82346 | CENTER RING DI.34 (USE ALSO FOR SOFT DICE) | CENTRUMRING DI. 34 AL. |
| | Dicing Grid Soft Dice for RG-200 and RG-250 | 120 | 82530 8 | OUTER RING, HIGH dw |
| 82530 10 | | | OUTER RING, HIGH dw | YTTERRING RG-200/250, SD10 DW |
| 82593 12.5 | | | OUTER RING, LOW (12.5/15), dw | YTTERRING RG-200/250 SD12.5 DW |
| 82593 15 | | | OUTER RING, LOW (12.5/15), dw | YTTERRING RG-200/250, SD15 DW |
| 82589 8 | | | OUTER RING, HIGH | YTTERRING RG-200/250, SD8 |
| 82589 10 | | | OUTER RING, HIGH | YTTERRING RG-200/250, SD10 |
| 82592 12.5 | | | OUTER RING, LOW (12.5/15) | YTTERRING RG-200/250, SD12,5 |
| 82592 15 | | | OUTER RING, LOW (12.5/15) | YTTERRING RG-200/250, SD15 |
| | | 35726 | DOMED HEAD SCREW, RG-7 (USE ALSO FOR SOFT DICE) | STYRSKRUV |

Spare Parts Soft Dicing Sets (Diwash)

| Cutting Tool name | Item No. | Spare Part | Reservdel |
|---|----------|---------------------|--------------------------------|
| DIWASH: Soft Dicing Sets for CC-34, RG-50 and RG-100 | 83375 | Soft Slicer 8 mm | SOFT SKIVARE 8MM |
| | 82539 | Dicing Grid 8 mm | TÄRNINGSGALLER, 8X8 DW SOFT |
| | 83364 | Soft Slicer 10 mm | SOFT SKIVARE 10MM |
| | 82529 | Dicing Grid 10 mm | TÄRNINGSGALLER, 10X10 DW SOFT |
| | 83385 | Soft Slicer 12.5 mm | SOFT SKIVARE 12.5MM |
| | 82571 | Dicing Grid 12.5 mm | TÄRNINGSGALLER 12.5X12.5 DW SD |
| | 83383 | Soft Slicer 15 mm | SOFT SKIVARE 15MM |
| | 82572 | Dicing Grid 15 mm | TÄRNINGSGALLER, 15X15 DW SD |
| DIWASH: Soft Dicing Sets for RG-200 and RG-250 | 82532 | Soft Slicer 8 mm | SOFT SKIVARE 8MM |
| | 82539 | Dicing Grid 8 mm | TÄRNINGSGALLER, 8X8 DW SOFT |
| | 82510 | Soft Slicer 10 mm | SOFT SKIVARE 10MM |
| | 82529 | Dicing Grid 10 mm | TÄRNINGSGALLER, 10X10 DW SOFT |
| | 82557 | Soft Slicer 12.5 mm | SOFT SKIVARE 12,5MM |
| | 82571 | Dicing Grid 12.5 mm | TÄRNINGSGALLER 12.5X12.5 DW SD |
| | 82554 | Soft Slicer 15 mm | SOFT SKIVARE 15MM |
| | 82572 | Dicing Grid 15 mm | TÄRNINGSGALLER, 15X15 DW SD |

Spare Parts Soft Dicing Sets (The Plates and Grids below should be washed by hand)

| Cutting Tool name | Item No. | Spare Part | Reservdel |
|---|----------|---------------------|-----------------------------|
| Soft Dicing Sets for CC-34, RG-50 and RG-100 | 83375 | Soft Slicer 8 mm | TÄRNINGSGALLER, 15X15 DW SD |
| | 82578 | Dicing Grid 8 mm | SOFT DICING SET 15MM |
| | 83364 | Soft Slicer 10 mm | SOFT SKIVARE 10MM |
| | 82586 | Dicing Grid 10 mm | TÄRNINGSGALLER, 10X10 SOFT |
| | 83385 | Soft Slicer 12.5 mm | SOFT SKIVARE 12.5MM |
| | 82585 | Dicing Grid 12.5 mm | TÄRNINGSGALLER 12.5X12.5 SD |
| | 83383 | Soft Slicer 15 mm | SOFT SKIVARE 15MM |
| | 82584 | Dicing Grid 15 mm | TÄRNINGSGALLER, 15X15 SD |
| Soft Dicing Sets for RG-200 and RG-250 | 82532 | Soft Slicer 8 mm | SOFT SKIVARE 8MM |
| | 82587 | Dicing Grid 8 mm | TÄRNINGSGALLER, 8X8 SOFT |
| | 82510 | Soft Slicer 10 mm | SOFT SKIVARE 10MM |
| | 82586 | Dicing Grid 10 mm | TÄRNINGSGALLER, 10X10 SOFT |
| | 82557 | Soft Slicer 12.5 mm | SOFT SKIVARE 12,5MM |
| | 82585 | Dicing Grid 12.5 mm | TÄRNINGSGALLER 12.5X12.5 SD |
| | 82554 | Soft Slicer 15 mm | SOFT SKIVARE 15MM |
| | 82584 | Dicing Grid 15 mm | TÄRNINGSGALLER, 15X15 SD |

Drawing: Cutting Tools 185 mm, CC-32/34, RG-30/50/100/200/250/7

