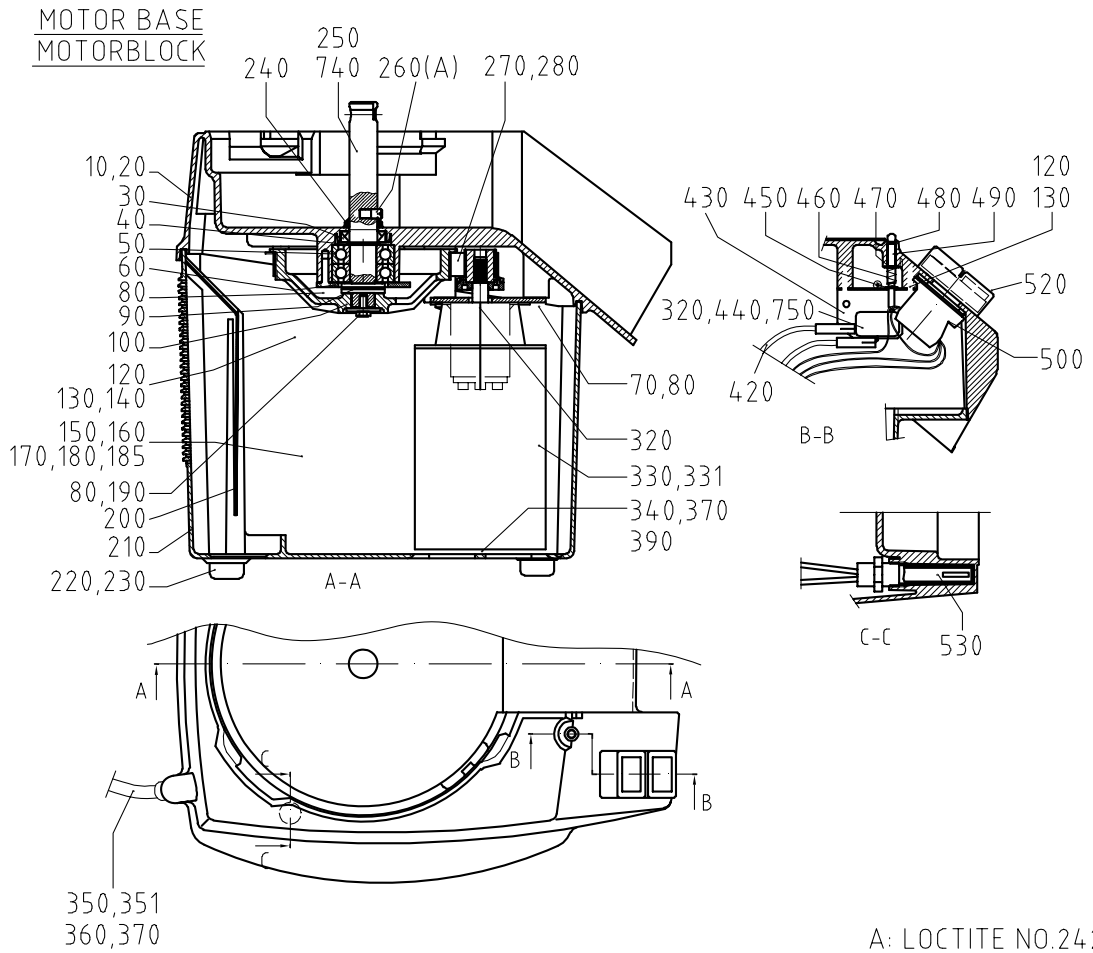


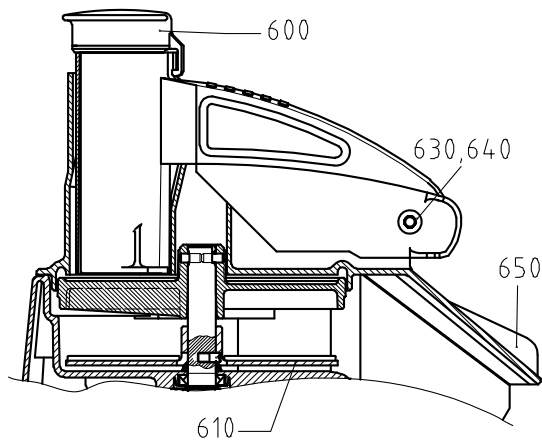
RG-50 Vegetable Preparation Machine

No. on drawing	Item No.	Spare Part	Reservdel	Incl.Pcs
10	24751	HOUSING, TOP	MASKINHUS, ÖVERDEL	1
20	14247	SCREW MKFX-H M5X16 A2-70	SKRUV MKFX-H M5X16 A2-70	4
30	10583	SEAL RING BASL FX7 NBR 18x30x7	TÄTN.RING BASL FX7 NBR 18X30X7	1
40	10258	LOCK RING 17	LÅSRING 17	1
50	10255	BALL BEARING 6203-2RS	KULLAGER 6203-2RS	2
60	24149	COVER, BEARING	LAGERLOCK	1
70	14344	SCREW M5x12	SKRUV ECO-FIX M5X12, A2	4
80	14852	SCREW FRH M5X10 TORX	SKRUV FRH M5X10 TORX	8
90	14907	PIN FRP 6X28 STEEL	PINNE FRP 6x28 STÅL	1
100	24154	PULLEY,KNIFE SHAFT	REMHJUL,KNIVAXEL	1
120	14851	SCREW MRT-TT M4x10 A2 DIN 7500	SKRUV MRT-TT M4x10 A2	2
130	14084	LOCK WASHER FBB 4.1 A2	BRICKA FJÄDER FBB 4.1 A2	2
150	1110	CABLE AWG L=130	KABEL AWG RÖD L130	1
160	24766	CABLE AWG L=290	KABEL AWG L290 RÖD FLH 6.3	2
170	24767	CABLE AWG L=290	KABEL AWG L290 VIT	1
180	24768	CABLE AWG L=130	KABEL AWG L130 RÖD	1
185	24769	CABLE AWG L=220	KABEL AWG L220 RÖD 6.3/4.8 FLH	1
190	14079	WASHER BRB 5,3X25X1,5 A2	BRICKA BRB 5,3X25X1,5 A2	1
200	24176	PROTECTION PLATE FOR LOVER	STÄNKPLÅT	1
210	24752	HOUSING, TOP	MASKINHUS, UNDERDEL	1
220	10494	RUBBER FOOT F-107 B	FOT,GUMMI M RFR BRICKA F-107 B	4
230	14333	SCREW MRX-H M4x12	SKRUV MRX-H M4X12 A2 70	4
240	10262	SEAL RING V-18S	TÄTNINGSRING V-18S	1
250	24158	KNIFE SHAFT	KNIVAXEL	1
260	24146	PIN, KNIFE SHAFT	MEDBRINGARSTIFT, KNIVAXEL	1
270	10624	BELT GT 3MR 0390 18	KUGGREM GT 3MR 0390 18	1
280	24773	PULLEY WHEEL COMPLETE	BRYTHJUL KOMPLETT	1
300	15703	RELAY SONG CHUAN 735 3A C3 230	RELÄ SONG CHUAN 735 3A C3 230V	1
300	15707	RELAY SONG CHUAN 735 3A C3 120	RELÄ SONG CHUAN 735 3A C3 120V	1
320	14611	SCREW RTK ST2.9x9.5 A2 70	SKRUV RTK ST2.9x9.5 A2 70	3
330	24753	MOTOR UNIT 110-120V 1 60Hz	MOTORENHET 110-120 60	1
331	24754	MOTOR UNIT 230V 1 50Hz	MOTORENHET 230 1 50	1
340	22212	VENT. NET	NÄT,FLÄKT VCM	1
350	24778	SUPPLY CORD 120V US	SLADDSTÄLL 120V US	1
351	24777	SUPPLY CORD 230V CE 1)	SLADDSTÄLL 230V CE 1)	1
360	10589	STRAIN RELIEF CLAMP 55-016-89	DRAGAVL.KLÄMMA 55-016-89	2
370	14337	SCREW MRX-H M4X25	SKRUV MRX-H M4x25 A2 70	2
380	14340	SCREW MCS M5x6 A2 70	SKRUV MCS M5x6 A2 70	4
390	14085	LOCK WASHER FBB 5,1 A2	BRICKA FJÄDER FBB 5.1 A2	4
430	24162	BRACKET,SAFETY SWITCH	FÄSTPLÅT,MIKROBRYT.	1
440	15694	MICRO SWITCH 83 160 7-N/C W3	MICROSWITCH 83 160 7-N/C-W3	1
450	10275	LOCKING WASHER RS 4	SPÄRRYTTARE RS 4	1
460	10581	SPRING SF-TRF 0,6X5X20	FJÄDER SF-TFR 0,6X5X20	1
470	14063	WASHER BRB 4.3X9X0.8 A2	BRICKA BRB 4.3x9x0.8 A2	1
480	10580	O-RING 3X1	O-RING 3X1	1
490	24163	ACTIVATOR PIN,SAFETY SWITCH	TRYCKSTÅNG,MIKROBRYT.	1
500	15704	CONTACT BLOCK	KONTAKTBLOCK ZB5 AZ105	1
520	15705	KNOB 0/1	VRED ZB5 AD5	1
530	15354	MAGNETIC SWITCH PR 15.2-AWG-AX	MAGNETBR. HM-PR 15.2-AWG-AX-200	1
600	24157	PESTLE HALLDE	STÖT HÄLLDE	1
610	83032	EJECTOR PLATE	UTMATARSKIVA	1
630	24177	SHAFT	AXEL	1
640	10593	LOCK WASHER RS7 A2	SPÄRRYTTARE RS7 A2	2
650	24171	FEED HEAD, DARK GREY, COMPL.	MATARINSATS, MÖRK GRÅ, KOMP	1
740	24111	KNIFE SHAFT COMPL.	KNIVAXEL KOMPLETT	1
750	24585	MICRO SWITCH UNIT COMPL.	MICROBRYTARENHET KOMP. CROUZET	1

Drawing: Vegetable Preparation Machine RG-50



VEGETABLE PREPARATION ATTACHMENT
GRÖNSAKSSKARAR-TILLSATS



Cutting Tools 185 mm for CC-32/34 and RG-30/50/100/200/250/7

Cutting Tool name	No. on drawing	Item No.	Spare Part	Reservdel
Standard Slicer	10	3653	KNIFE, STANDARD SLICER	KNIV, STANDARDSKIVARE
Fine Cut Slicer	20	3742	KNIFE, FINE CUT SLICER	KNIV, FINSNITTSKIVARE
Crimping Slicer	30	3688	KNIFE, CRIMPING SLICER	KNIV, RÄFFELSKIVARE
Soft Slicer	45	82515	KNIFE, SOFT DICING SLICER	KNIV, SOFT DICING SLICER
Julienne Cutter	10	3653*	KNIFE, STANDARD SLICER	KNIV, STANDARDSKIVARE
		3653*	KNIFE, STANDARD SLICER	KNIV, STANDARDSKIVARE
		3653*	KNIFE, STANDARD SLICER	KNIV, STANDARDSKIVARE
		3653*	KNIFE, STANDARD SLICER	KNIV, STANDARDSKIVARE
	40	82074	HORIZONTAL KNIFE, 4.5X4.5 MM	HORISONTALKNIV 4,5X4,5 MM
		82075	HORIZONTAL KNIFE, 6X6 MM	HORISONTALKNIV 6X6 MM
		82076	HORIZONTAL KNIFE, 8X8 MM	HORISONTALKNIV 8X8 MM
		82077	HORIZONTAL KNIFE, 10X10 MM	HORISONTALKNIV 10X10 MM
	50	82305**	KNIFE BALK, 2X2 MM	KNIVBALK, 2X2 MM
		84043	(CC-32/CC-34) KNIFE BALK, 0,35 MM 2X2	KNIV BALK 0,35 MM KNIVAR 2X2
		82306	KNIFE BALK, 2,5X2,5 MM	KNIV BALK, 2,5X2,5 MM
	60	82307**	KNIFE BALK, 4,5X4,5 MM	KNIV BALK, 4,5X4,5 MM
		84044	(CC-32/CC-34) KNIFE BALK 0,35MM 4,5X4,5	KNIVBALK 0,35MM KNIV 4,5X4,5
		82308**	KNIFE BALK, 6X6 MM	KNIVBALK, 6X6 MM
		82309**	KNIFE BALK, 8X8 MM	KNIVBALK, 8X8 MM
		82310	KNIFE BALK, 10X10 MM	KNIVBALK, 10X10 MM
Grater/Shredder	70	3696 1.5	PLATE FOR 1,5 MM, GRATER	PLÅT TILL 1,5 MM
		3696 2***	PLATE FOR 2 MM, GRATER	PLÅT TILL 2 MM
		3696 3	PLATE FOR 3 MM, GRATER	PLÅT TILL 3 MM
		3696 4.5***	PLATE FOR 4,5 MM, GRATER	PLÅT TILL 4,5 MM
		3696 6***	PLATE FOR 6 MM, GRATER	PLÅT TILL 6 MM
		3696 8***	PLATE FOR 8 MM, GRATER	PLÅT TILL 8 MM
		3696 10	PLATE FOR 10 MM, GRATER	PLÅT TILL 10 MM
		Fine Grater	80	82216***
85	83285		PLATE, GRATER EXTRA FINE	PLÅT, RIVARE EXTRA FIN
Potato Chips Grid for RG-7 and RG-250	90	3797	COMPL KIT KNIVES POTCHIPS GRID	UTBYTESSATS KOMPL POM.FRITES GALLER
Dicing Grid for RG-7, RG-200 and RG-250	100	82355	COMPL. KIT KNIVES, 6,25 MM	UTBYTESSATS KOMPL 6,25MM
		82356	COMPL. KIT KNIVES, 7,5 MM	UTBYTESSATS KOMPL 7,5MM
		82357	COMPL. KIT KNIVES, 10 MM	UTBYTESSATS KOMPL 10MM
		82358	COMPL. KIT KNIVES, 12,5 MM	UTBYTESSATS KOMPL 12,5MM
		82359	COMPL. KIT KNIVES, 15 MM	UTBYTESSATS KOMPL 15MM
		82360	COMPL. KIT KNIVES, 20 MM	UTBYTESSATS KOMPL 20MM
		82361	COMPL. KIT KNIVES, 25 MM	UTBYTESSATS KOMPL 25MM
Dicing Grid Soft Dice for RG-200 and RG-250	100	82594	COMPL. KIT KNIVES, 7,5 MM	UTBYTESSATS KOMPL 8 (7,5)
		82595	COMPL. KIT KNIVES, 10 MM	UTBYTESSATS KOMPL 10MM
		82596	COMPL. KIT KNIVES, 12,5 MM	UTBYTESSATS KOMPL 12,5MM
		82597	COMPL. KIT KNIVES, 15 MM	UTBYTESSATS KOMPL 15MM

* Standard Slicer Knife

** Only for RG-100/200/250/7

*** Only for RG-100/200/250/7

Dicing Grid for RG-200 and RG-250	110	3842	OUTER RING RG-7	YTTERRING RG-7
	120	82461	OUTER RING, HIGH dw	YTTERRING, HÖG, dw
		82462	OUTER RING, LOW (14), dw	YTTERRING, LÅG (14/15), dw
		82463	OUTER RING, LOW (20), dw	YTTERRING, LÅG (20), dw
		82391	OUTER RING, HIGH	YTTERRING RG-200/250, HÖG
		82392	OUTER RING, LOW (14/15)	YTTERRING RG200/250 LÅG (14/15)
		82393	OUTER RING, LOW (20)	YTTERRING RG-250, LÅG (20)
	130	82464	CENTER RING ID.34, dw (USE ALSO FOR SOFT DICE)	CENTRUMRING DI.34, dw
		82346	CENTER RING DI.34 (USE ALSO FOR SOFT DICE)	CENTRUMRING DI. 34 AL.
	Dicing Grid Soft Dice for RG-200 and RG-250	120	82530 8	OUTER RING, HIGH dw
82530 10			OUTER RING, HIGH dw	YTTERRING RG-200/250, SD10 DW
82593 12.5			OUTER RING, LOW (12.5/15), dw	YTTERRING RG-200/250 SD12.5 DW
82593 15			OUTER RING, LOW (12.5/15), dw	YTTERRING RG-200/250, SD15 DW
82589 8			OUTER RING, HIGH	YTTERRING RG-200/250, SD8
82589 10			OUTER RING, HIGH	YTTERRING RG-200/250, SD10
82592 12.5			OUTER RING, LOW (12.5/15)	YTTERRING RG-200/250, SD12,5
82592 15			OUTER RING, LOW (12.5/15)	YTTERRING RG-200/250, SD15
		35726	DOMED HEAD SCREW, RG-7 (USE ALSO FOR SOFT DICE)	STYRSKRUV

Spare Parts Soft Dicing Sets (Diwash)

Cutting Tool name	Item No.	Spare Part	Reservdel
DIWASH: Soft Dicing Sets for CC-34, RG-50 and RG-100	83375	Soft Slicer 8 mm	SOFT SKIVARE 8MM
	82539	Dicing Grid 8 mm	TÄRNINGSGALLER, 8X8 DW SOFT
	83364	Soft Slicer 10 mm	SOFT SKIVARE 10MM
	82529	Dicing Grid 10 mm	TÄRNINGSGALLER, 10X10 DW SOFT
	83385	Soft Slicer 12.5 mm	SOFT SKIVARE 12.5MM
	82571	Dicing Grid 12.5 mm	TÄRNINGSGALLER 12.5X12.5 DW SD
	83383	Soft Slicer 15 mm	SOFT SKIVARE 15MM
	82572	Dicing Grid 15 mm	TÄRNINGSGALLER, 15X15 DW SD
DIWASH: Soft Dicing Sets for RG-200 and RG-250	82532	Soft Slicer 8 mm	SOFT SKIVARE 8MM
	82539	Dicing Grid 8 mm	TÄRNINGSGALLER, 8X8 DW SOFT
	82510	Soft Slicer 10 mm	SOFT SKIVARE 10MM
	82529	Dicing Grid 10 mm	TÄRNINGSGALLER, 10X10 DW SOFT
	82557	Soft Slicer 12.5 mm	SOFT SKIVARE 12,5MM
	82571	Dicing Grid 12.5 mm	TÄRNINGSGALLER 12.5X12.5 DW SD
	82554	Soft Slicer 15 mm	SOFT SKIVARE 15MM
	82572	Dicing Grid 15 mm	TÄRNINGSGALLER, 15X15 DW SD

Spare Parts Soft Dicing Sets (The Plates and Grids below should be washed by hand)

Cutting Tool name	Item No.	Spare Part	Reservdel
Soft Dicing Sets for CC-34, RG-50 and RG-100	83375	Soft Slicer 8 mm	TÄRNINGSGALLER, 15X15 DW SD
	82578	Dicing Grid 8 mm	SOFT DICING SET 15MM
	83364	Soft Slicer 10 mm	SOFT SKIVARE 10MM
	82586	Dicing Grid 10 mm	TÄRNINGSGALLER, 10X10 SOFT
	83385	Soft Slicer 12.5 mm	SOFT SKIVARE 12.5MM
	82585	Dicing Grid 12.5 mm	TÄRNINGSGALLER 12.5X12.5 SD
	83383	Soft Slicer 15 mm	SOFT SKIVARE 15MM
	82584	Dicing Grid 15 mm	TÄRNINGSGALLER, 15X15 SD
Soft Dicing Sets for RG-200 and RG-250	82532	Soft Slicer 8 mm	SOFT SKIVARE 8MM
	82587	Dicing Grid 8 mm	TÄRNINGSGALLER, 8X8 SOFT
	82510	Soft Slicer 10 mm	SOFT SKIVARE 10MM
	82586	Dicing Grid 10 mm	TÄRNINGSGALLER, 10X10 SOFT
	82557	Soft Slicer 12.5 mm	SOFT SKIVARE 12,5MM
	82585	Dicing Grid 12.5 mm	TÄRNINGSGALLER 12.5X12.5 SD
	82554	Soft Slicer 15 mm	SOFT SKIVARE 15MM
	82584	Dicing Grid 15 mm	TÄRNINGSGALLER, 15X15 SD

Drawing: Cutting Tools 185 mm, CC-32/34, RG-30/50/100/200/250/7

